

Product Summary

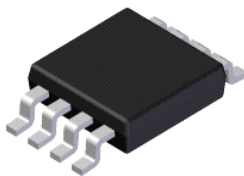
- Continuous Drain Source Voltage: 60V
- On-State Resistance: 200mΩ
- Nominal Load Current ($V_{IN} = 5V$): 2.8A
- Clamping Energy: 490mJ

Description

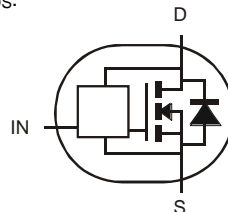
The ZXMS6005N8 is a self-protected low side MOSFET with logic level input. It integrates over-temperature, overcurrent, overvoltage (active clamp) and ESD protected logic level functionality. The ZXMS6005N8 is ideal as a general purpose switch driven from 3.3V or 5V microcontrollers in harsh environments where standard MOSFETs are not rugged enough.

Applications

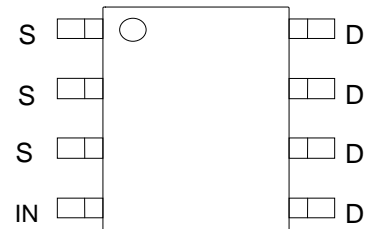
- Especially Suited for Loads with a High In-Rush Current such as Lamps and Motors
- All Types of Resistive, Inductive and Capacitive Loads in Switching Applications
- μC Compatible Power Switch for 12V and 24V DC Applications
- Replaces Electromechanical Relays and Discrete Circuits
- Linear Mode Capability – the current-limiting protection circuitry is designed to deactivate at low V_{DS} to minimize on-state power dissipation. The maximum DC operating current is therefore determined by the thermal capability of the package/board combination, rather than by the protection circuitry. This does not compromise the product's ability to self-protect at low V_{DS} .



Top View



Device Symbol



Top View
Pin Out

Features and Benefits

- Low Input Current
- Logic Level Input (3.3V and 5V)
- Short Circuit Protection with Auto Restart
- Overvoltage Protection (Active Clamp)
- Thermal Shutdown with Auto Restart
- Overcurrent Protection
- Input Protection (ESD)
- High Continuous Current Rating
- **Totally Lead-Free & Fully RoHS Compliant (Notes 1 & 2)**
- **Halogen and Antimony Free. "Green" Device (Note 3)**

Mechanical Data

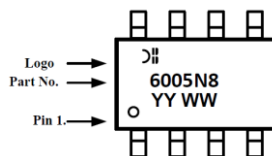
- Case: SO-8
- Case Material: Molded Plastic, "Green" Molding Compound. UL Flammability Classification Rating 94V-0
- Moisture Sensitivity: Level 1 per J-STD-020
- Terminals: Matte Tin Finish (Sn)
- Weight: 80.2 mg (Approximate)

Ordering Information

| Product | Marking | Reel Size (inches) | Tape Width (mm) | Quantity per Reel |
|---------------|---------|--------------------|-----------------|-------------------|
| ZXMS6005N8-13 | 6005N8 | 13 | 12 | 2,500 Units |

- Notes:
1. No purposely added lead. Fully EU Directive 2002/95/EC (RoHS) & 2011/65/EU (RoHS 2) compliant.
 2. See http://www.diodes.com/quality/lead_free.html for more information about Diodes Incorporated's definitions of Halogen- and Antimony-free, "Green" and Lead-free.
 3. Halogen- and Antimony-free "Green" products are defined as those which contain <900ppm bromine, <900ppm chlorine (<1500ppm total Br + Cl) and <1000ppm antimony compounds.
 4. For packaging details, go to our website at <http://www.diodes.com/products/packages.html>.

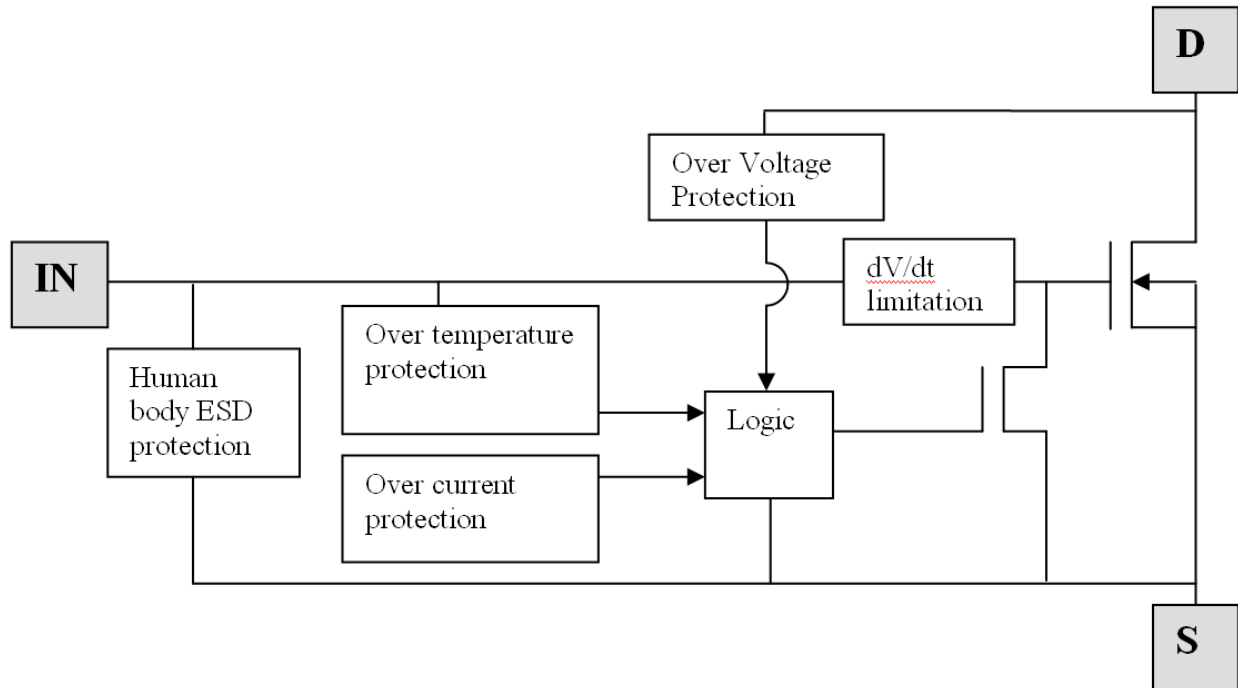
Marking Information



Top View

6005N8 = Product Name
 YY: Year
 WW: Week: 01~52;
 52 Represents 52 and 53 Week

Functional Block Diagram



Absolute Maximum Ratings (@T_A = +25°C, unless otherwise stated.)

| Characteristic | Symbol | Value | Units |
|---|---------------------|-----------------------|-------|
| Continuous Drain-Source Voltage | V _{DS} | 60 | V |
| Drain-Source Voltage for Short Circuit Protection | V _{DS(SC)} | 36 | V |
| Continuous Input Voltage | V _{IN} | -0.5 to +6 | V |
| Continuous Input Current @ -0.2V ≤ V _{IN} ≤ 6V | I _{IN} | No Limit | mA |
| Continuous Input Current @ V _{IN} < -0.2V or V _{IN} > 6V | I _{IN} | I _{IN} ≤ 2 | mA |
| Pulsed Drain Current @ V _{IN} = 3.3V | I _{DM} | 5 | A |
| Pulsed Drain Current @ V _{IN} = 5V | I _{DM} | 6 | A |
| Continuous Source Current (Body Diode) (Note 5) | I _S | 2.5 | A |
| Pulsed Source Current (Body Diode) | I _{SM} | 10 | A |
| Unclamped Single Pulse Inductive Energy, T _J = +25°C, I _D = 0.5A, V _{DD} = 24V | E _{AS} | 490 | mJ |
| Electrostatic Discharge (Human Body Model) | V _{HBM} | 4,000 | V |
| Charged Device Model | V _{CDM} | 1,000 | V |

Thermal Resistance (@T_A = +25°C, unless otherwise specified.)

| Characteristic | Symbol | Value | Units |
|---|------------------|-------------|-------|
| Power Dissipation @ T _A = +25°C (Note 5) | P _D | 1.28 | W |
| Linear Derating Factor | | 10 | mW/°C |
| Power Dissipation @ T _A = +25°C (Note 6) | P _D | 1.65 | W |
| Linear Derating Factor | | 12.4 | mW/°C |
| Thermal Resistance, Junction to Ambient (Note 5) | R _{θJA} | 98 | °C/W |
| Thermal Resistance, Junction to Ambient (Note 6) | R _{θJA} | 76 | °C/W |
| Thermal Resistance, Junction to Case (Note 7) | R _{θJC} | 12 | °C/W |
| Operating Temperature Range | T _J | -40 to +150 | °C |
| Storage Temperature Range | T _{STG} | -55 to +150 | °C |

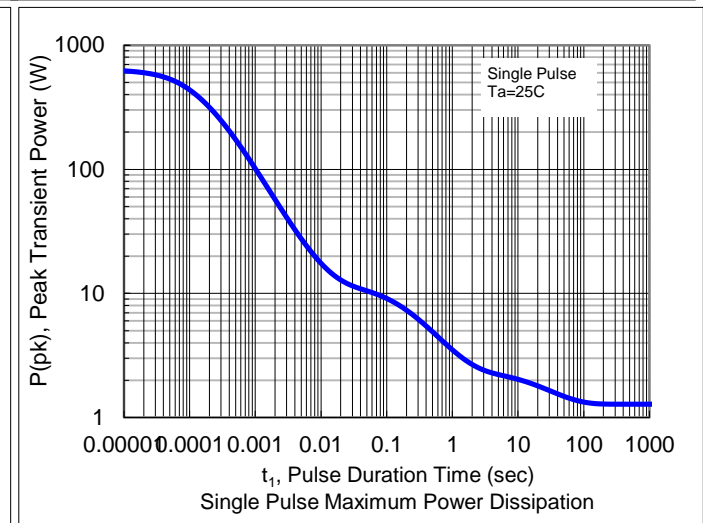
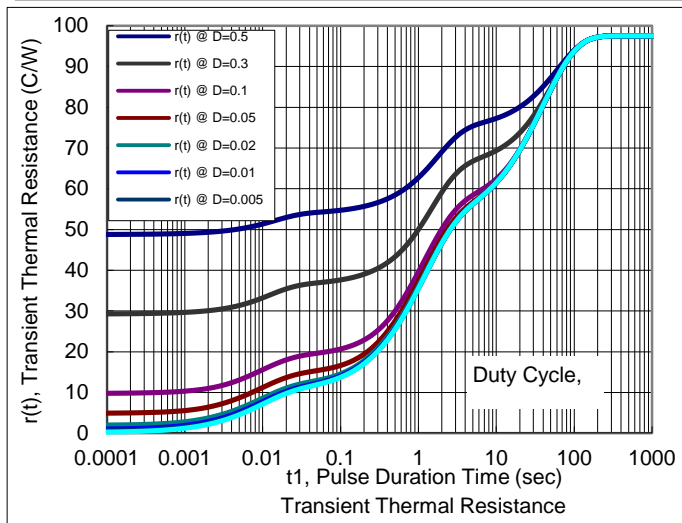
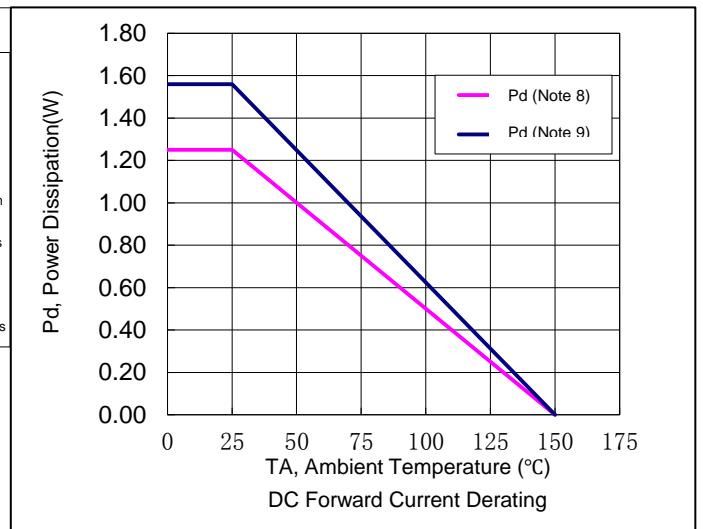
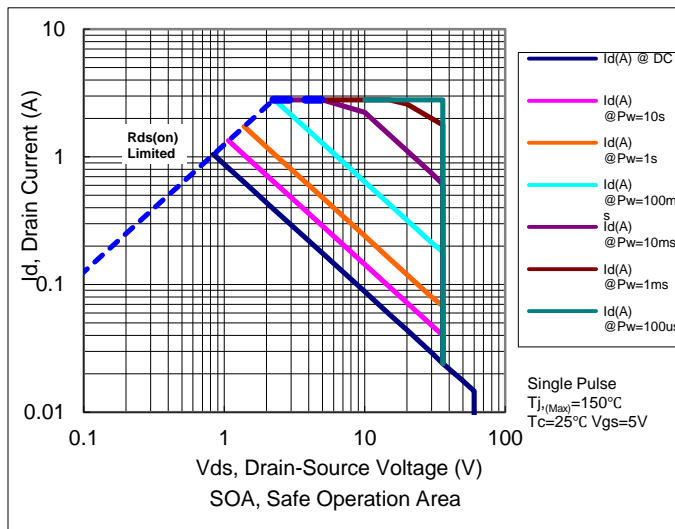
- Notes:
5. Device mounted on FR-4 substrate PC board, 2oz copper, with minimum recommended pad layout
 6. Device mounted on FR-4 substrate PC board, 2oz copper, with 1inch square copper plate.
 7. Thermal resistance between junction and the mounting surfaces of drain and source pins.

Recommended Operating Conditions

The ZXMS6005N8 is optimized to use with μC operating from 3.3V and 5V supplies.

| Characteristic | Symbol | Min | Max | Unit |
|---|----------|-----|------|--------------------|
| Input Voltage Range | V_{IN} | 0 | 5.5 | V |
| Ambient Temperature Range | T_A | -40 | +125 | $^{\circ}\text{C}$ |
| High Level Input Voltage for MOSFET to be On | V_{IH} | 3 | 5.5 | V |
| Low Level Input Voltage for MOSFET to be Off | V_{IL} | 0 | 0.7 | V |
| Peripheral Supply Voltage (Voltage to which Load is Referred) | V_P | 0 | 36 | V |

Thermal Characteristics



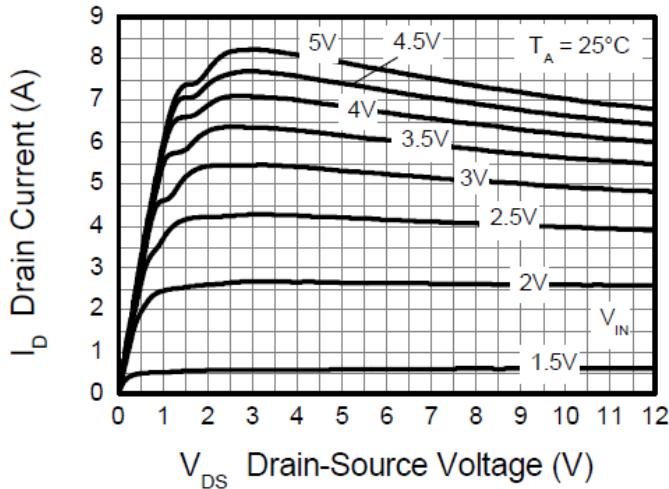
- Notes:
- 8. Device mounted on FR-4 substrate PC board, 2oz copper, with minimum recommended pad layout.
 - 9. Device mounted on FR-4 substrate PC board, 2oz copper, with 1inch square copper plate.

Electrical Characteristics (@T_A = +25°C, unless otherwise stated.)

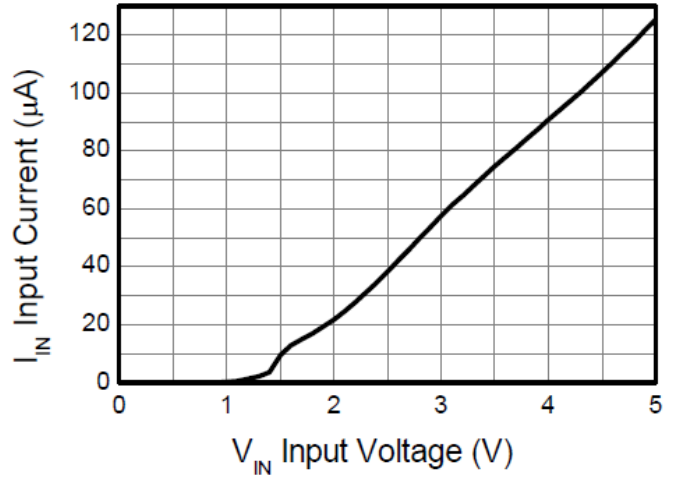
| Characteristic | Symbol | Min | Typ | Max | Unit | Test Condition |
|---|---------------------|------|------|-----|------|--|
| Static Characteristics | | | | | | |
| Drain-Source Clamp Voltage | V _{DS(AZ)} | 60 | 65 | 70 | V | I _D = 10mA |
| Off-State Drain Current | I _{DSS} | — | — | 1 | μA | V _{DS} = 12V, V _{IN} = 0V |
| | | — | — | 2 | | V _{DS} = 36V, V _{IN} = 0V |
| Input Threshold Voltage | V _{IN(TH)} | 0.7 | 1 | 1.5 | V | V _{DS} = V _{GS} , I _D = 1mA |
| Input Current | I _{IN} | — | 60 | 100 | μA | V _{IN} = +3V |
| | | — | 120 | 200 | | V _{IN} = +5V |
| Input Current while Overtemperature Active | — | — | — | 300 | μA | V _{IN} = +5V |
| Static Drain-Source On-State Resistance | R _{DS(ON)} | — | 170 | 250 | mΩ | V _{IN} = +3V, I _D = 0.5A |
| | | — | 150 | 200 | | V _{IN} = +5V, I _D = 0.5A |
| Continuous Drain Current (Note 5) | I _D | 1.4 | — | — | A | V _{IN} = 3V; T _A = +25°C |
| | | 1.6 | — | — | | V _{IN} = 5V; T _A = +25°C |
| Continuous Drain Current (Note 6) | I _D | 1.9 | — | — | A | V _{IN} = 3V; T _A = +25°C |
| | | 2.0 | — | — | | V _{IN} = 5V; T _A = +25°C |
| Current Limit (Note 10) | I _{D(LIM)} | 2.2 | 5 | — | A | V _{IN} = +3V |
| | | 3.3 | 7 | — | | V _{IN} = +5V |
| Dynamic Characteristics | | | | | | |
| Turn-On Delay Time | t _{D(ON)} | — | 5 | — | μs | V _{DD} = 12V, I _D = 0.5A, V _{GS} = 5V |
| Rise Time | t _R | — | 14 | — | | |
| Turn-Off Delay Time | t _{D(OFF)} | — | 34 | — | | |
| Fall Time | t _F | — | 19 | — | | |
| Overtemperature Protection | | | | | | |
| Thermal Overload Trip Temperature (Note 11) | T _{JT} | +150 | +175 | — | °C | — |
| Thermal Hysteresis (Note 11) | ΔT _{JT} | — | +10 | — | °C | — |

- Notes:
10. The drain current is restricted only when the device is in saturation (see Typical Output Characteristic graph). This allows the device to be used in the fully on state without interference from the current limit. The device is fully protected at all drain currents, as the low power dissipation generated outside saturation makes current limit unnecessary.
 11. Overtemperature protection is designed to prevent device destruction under fault conditions. Fault conditions are considered as "outside" normal operating range, so this part is not designed to withstand overtemperature for extended periods.

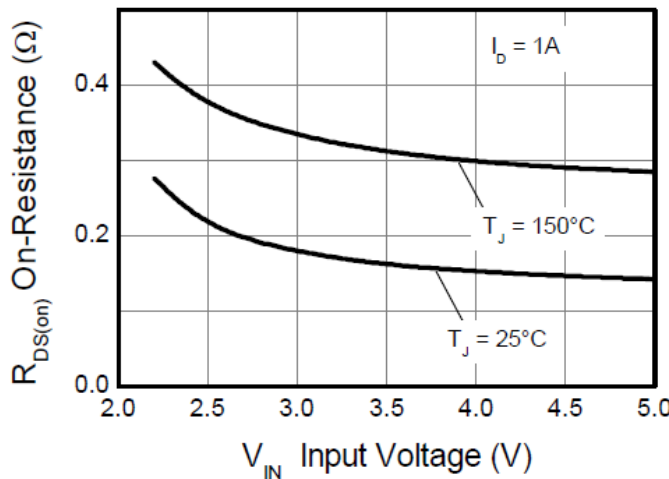
Typical Characteristics



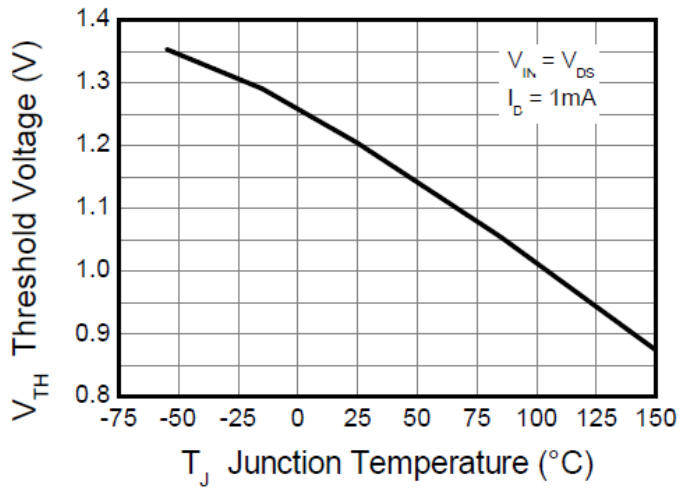
Typical Output Characteristic



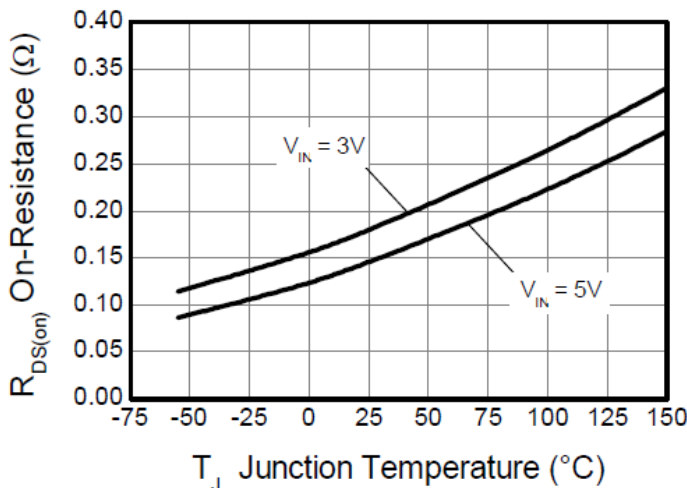
Input Current vs Input Voltage



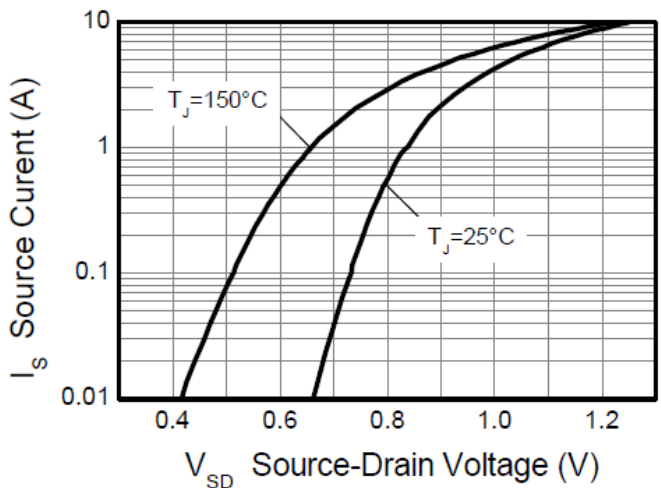
On-Resistance vs Input Voltage



Threshold Voltage vs Temperature

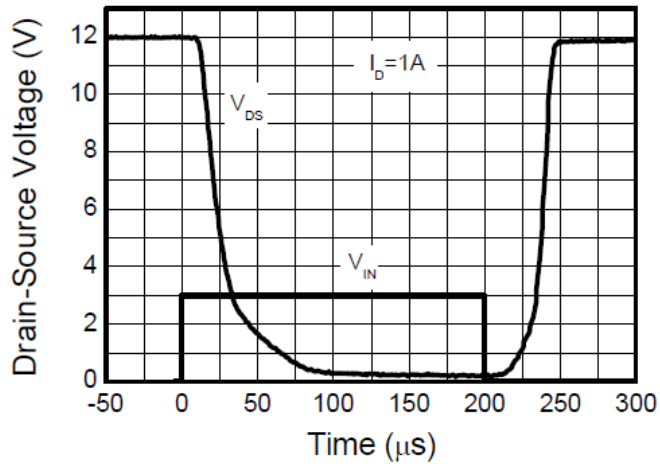


On-Resistance vs Temperature

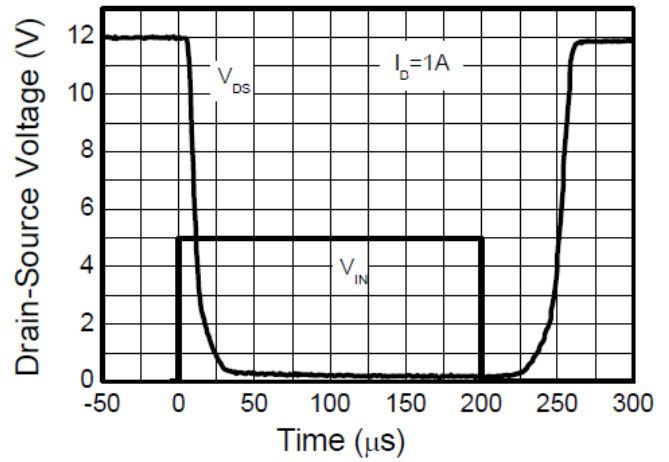


Reverse Diode Characteristic

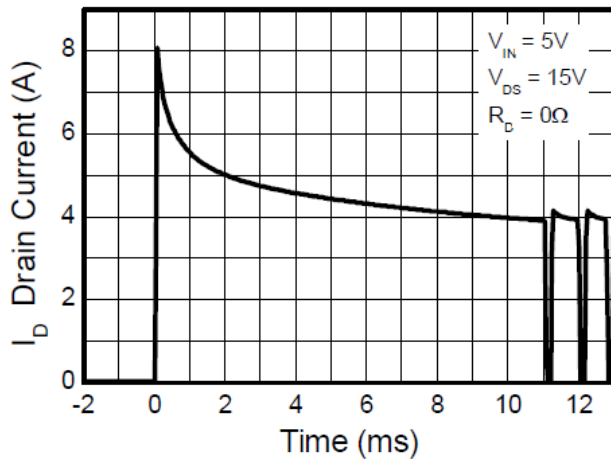
Typical Characteristics (Continued)



Switching Speed



Switching Speed

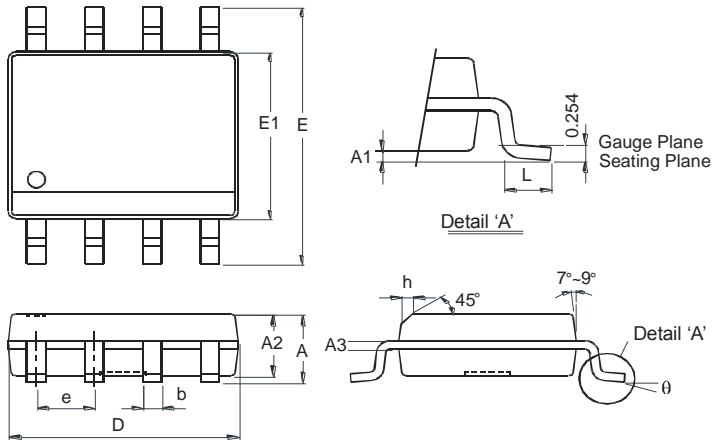


Typical Short Circuit Protection

Package Outline Dimensions

Please see AP02002 at <http://www.diodes.com/datasheets/ap02002.pdf> for the latest version.

SO-8

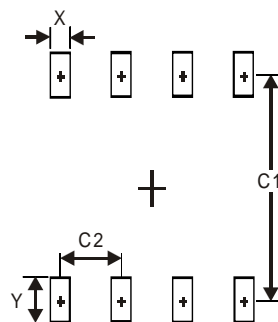


| SO-8 | | |
|-----------------------------|----------|------|
| Dim | Min | Max |
| A | - | 1.75 |
| A1 | 0.10 | 0.20 |
| A2 | 1.30 | 1.50 |
| A3 | 0.15 | 0.25 |
| b | 0.3 | 0.5 |
| D | 4.85 | 4.95 |
| E | 5.90 | 6.10 |
| E1 | 3.85 | 3.95 |
| e | 1.27 Typ | |
| h | - | 0.35 |
| L | 0.62 | 0.82 |
| θ | 0° | 8° |
| All Dimensions in mm | | |

Suggested Pad Layout

Please see AP02001 at <http://www.diodes.com/datasheets/ap02001.pdf> for the latest version.

SO-8



| Dimensions | Value (in mm) |
|------------|---------------|
| X | 0.60 |
| Y | 1.55 |
| C1 | 5.4 |
| C2 | 1.27 |

IMPORTANT NOTICE

DIODES INCORPORATED MAKES NO WARRANTY OF ANY KIND, EXPRESS OR IMPLIED, WITH REGARDS TO THIS DOCUMENT, INCLUDING, BUT NOT LIMITED TO, THE IMPLIED WARRANTIES OF MERCHANTABILITY AND FITNESS FOR A PARTICULAR PURPOSE (AND THEIR EQUIVALENTS UNDER THE LAWS OF ANY JURISDICTION).

Diodes Incorporated and its subsidiaries reserve the right to make modifications, enhancements, improvements, corrections or other changes without further notice to this document and any product described herein. Diodes Incorporated does not assume any liability arising out of the application or use of this document or any product described herein; neither does Diodes Incorporated convey any license under its patent or trademark rights, nor the rights of others. Any Customer or user of this document or products described herein in such applications shall assume all risks of such use and will agree to hold Diodes Incorporated and all the companies whose products are represented on Diodes Incorporated website, harmless against all damages.

Diodes Incorporated does not warrant or accept any liability whatsoever in respect of any products purchased through unauthorized sales channel. Should Customers purchase or use Diodes Incorporated products for any unintended or unauthorized application, Customers shall indemnify and hold Diodes Incorporated and its representatives harmless against all claims, damages, expenses, and attorney fees arising out of, directly or indirectly, any claim of personal injury or death associated with such unintended or unauthorized application.

Products described herein may be covered by one or more United States, international or foreign patents pending. Product names and markings noted herein may also be covered by one or more United States, international or foreign trademarks.

This document is written in English but may be translated into multiple languages for reference. Only the English version of this document is the final and determinative format released by Diodes Incorporated.

LIFE SUPPORT

Diodes Incorporated products are specifically not authorized for use as critical components in life support devices or systems without the express written approval of the Chief Executive Officer of Diodes Incorporated. As used herein:

A. Life support devices or systems are devices or systems which:

1. are intended to implant into the body, or
2. support or sustain life and whose failure to perform when properly used in accordance with instructions for use provided in the labeling can be reasonably expected to result in significant injury to the user.

B. A critical component is any component in a life support device or system whose failure to perform can be reasonably expected to cause the failure of the life support device or to affect its safety or effectiveness.

Customers represent that they have all necessary expertise in the safety and regulatory ramifications of their life support devices or systems, and acknowledge and agree that they are solely responsible for all legal, regulatory and safety-related requirements concerning their products and any use of Diodes Incorporated products in such safety-critical, life support devices or systems, notwithstanding any devices- or systems-related information or support that may be provided by Diodes Incorporated. Further, Customers must fully indemnify Diodes Incorporated and its representatives against any damages arising out of the use of Diodes Incorporated products in such safety-critical, life support devices or systems.

Copyright © 2015, Diodes Incorporated

www.diodes.com